

# SONGLE RELAY

	RELAY ISO9002	SRSB
---	---------------	------



## 1. MAIN FEATURES

- ó Smallest size (10.2 □ 18.2 □ 14.8 mm) at 10A switching capacity relay for high density P.C. board mounting technique.
- ó 1A and 1C contact form available.
- ó Surge resistiveness of 5000V on series relays.
- ó Design conforms to foreign safety standard (UL/CSA).
- ó Selection of plastic insulation material for high temperature and better chemical solution performance.

## 2. APPLICATIONS

- ó Domestic appliance, office machine, audio equipment, automobile etc.

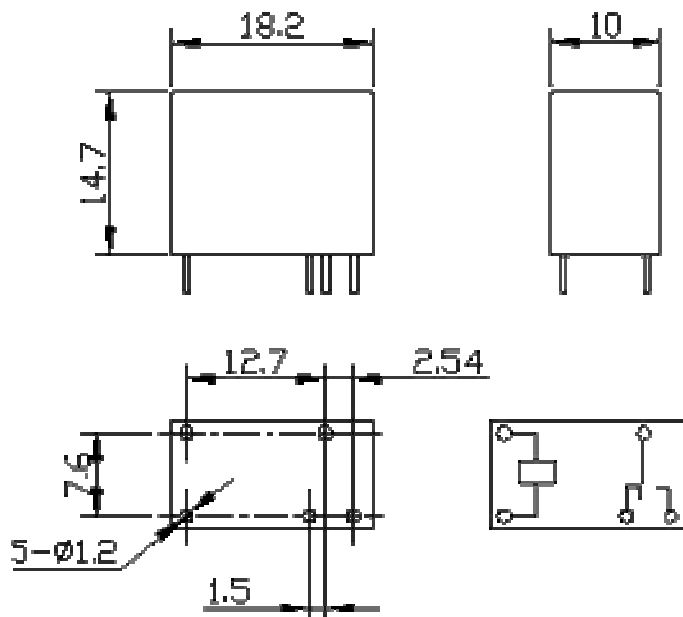
## 3. ORDERING INFORMATION

SRSB	XX VDC	S	C	L
Model of relay	Nominal coil voltage	Structure	Contact form	Coil sensitivit
SRSB	03,05,06,09,12,18,24VDC	S:Sealed type	A:1 form A	L:0.45W
		F:Flux free type	C:1 form C	H:0.20W

## 4. RATING

5A/250VAC 30VDC      10A/125VAC 30VDC  
 CCC FILE NUMBER: CQC03001003730      10A/250VAC  
 UL/CUL FILE NUMBER: E167996      5A/250VAC 30VDC      10A/125VAC 30VDC

## 5. DIMENSION (unit:mm)      DRILLING (unit:mm)      WIRING DIAGRAM



### 6. COIL DATA CHART (AT20 C)

Coil Sensitivity	Coil Voltage Code	Nominal Voltage (VDC)	Nominal Current (mA)	Coil Resistance ( $\Omega$ )	Power Consumption (W)	Pull-In Voltage (VDC)	Drop-Out Voltage (VDC)	Max-Allowable Voltage (VDC)
SRSB (High Sensitivity)	03	3	67	45	abt. 0.2W Max.	75% Max.	5% Min.	130%
	05	5	42	120				
	06	6	33	180				
	09	9	23	400				
	12	12	18	700				
	18	18	11	1620				
SRSB (Standard)	03	3	150	20	abt. 0.2W Max.	75% Max.	5% Min.	130%
	05	5	89	56				
	06	6	75	80				
	09	9	50	180				
	12	12	37.5	320				
	18	18	25	720				
	24	24	18.7	1280				

### 7. CONTACT RATING

Item	Type	SRSB	
		L Type	H Type
Contact Capacity Resistive Load( $\cos\Phi=1$ )		10A 120VAC	7A 120VAC
Inductive Load ( $\cos\Phi=0.4$ L/R=7msec)		4A 120VAC 4A 28VDC	2A 120VAC
Referenced Min. Applicable Load		5VDC, 10mA	
Contact Material		AgCdo	

### 8. PERFORMANCE (at initial value)

Item	Type	SRSB	
		1 Form C	1 Form A
Contact Resistance		100m $\Omega$ Max.	
Operation Time		10msec Max.	
Release Time		5msec Max.	
Dielectric Strength			
Between coil & contact		2500VAC/1 min	2800VAC/1 min
Between contacts		1000VAC/1 min	1000VAC/1 min
Surge Resistiveness		5000V	
Insulation Resistance		100 M $\Omega$ Min. (500VDC)	
Max. ON/OFF Switching			
Mechanically		300 operation/min	
Electrically		30 operation/min	
Operating Ambient Temperature		-30 $^{\circ}$ C to +60 $^{\circ}$ C	
Operating Humidity		45 to 85% RH	
Coil Temperature Rise		40 deg. Max. (at rated coil voltage)	
Vibration			
Endurance		10 to 55HZ Double Amplitude 1.5mm	
Error Operation		10 to 55HZ Double Amplitude 1.5mm	
Shock			
Endurance		100G Min.	
Error Operation		10G Min.	
Life Expectancy			
Mechanically		10 <sup>7</sup> ops. Min. (no load)	
Electrically		10 <sup>5</sup> ops. Min. (at rated coil voltage)	
Weight		abt. 9grs.	

### 9. REFERENCE DATA

